



Mobile Edge & Interactive Cloud Computing

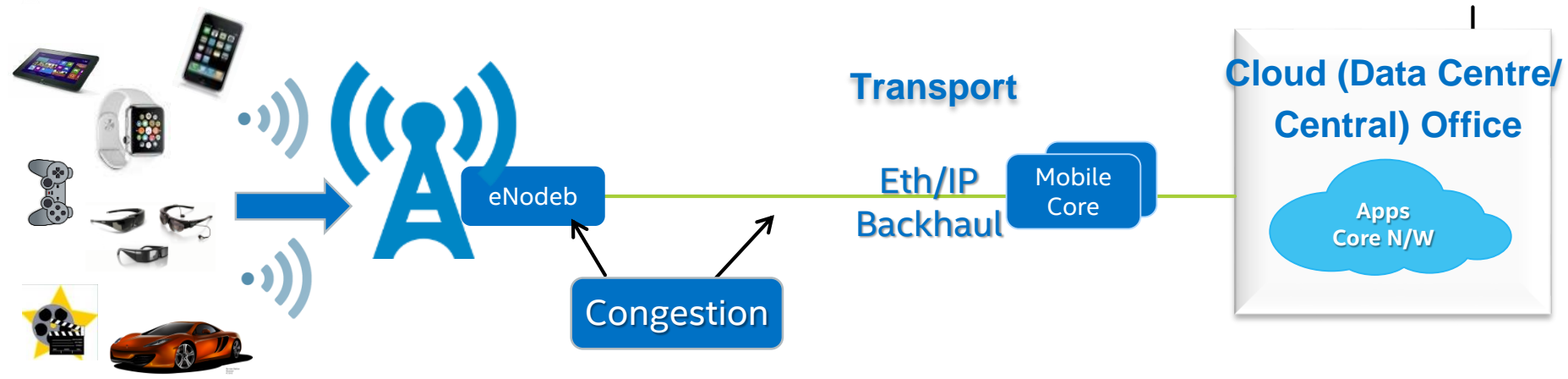
Network Platform Group
Comms Infrastructure Division



Mobile Networks

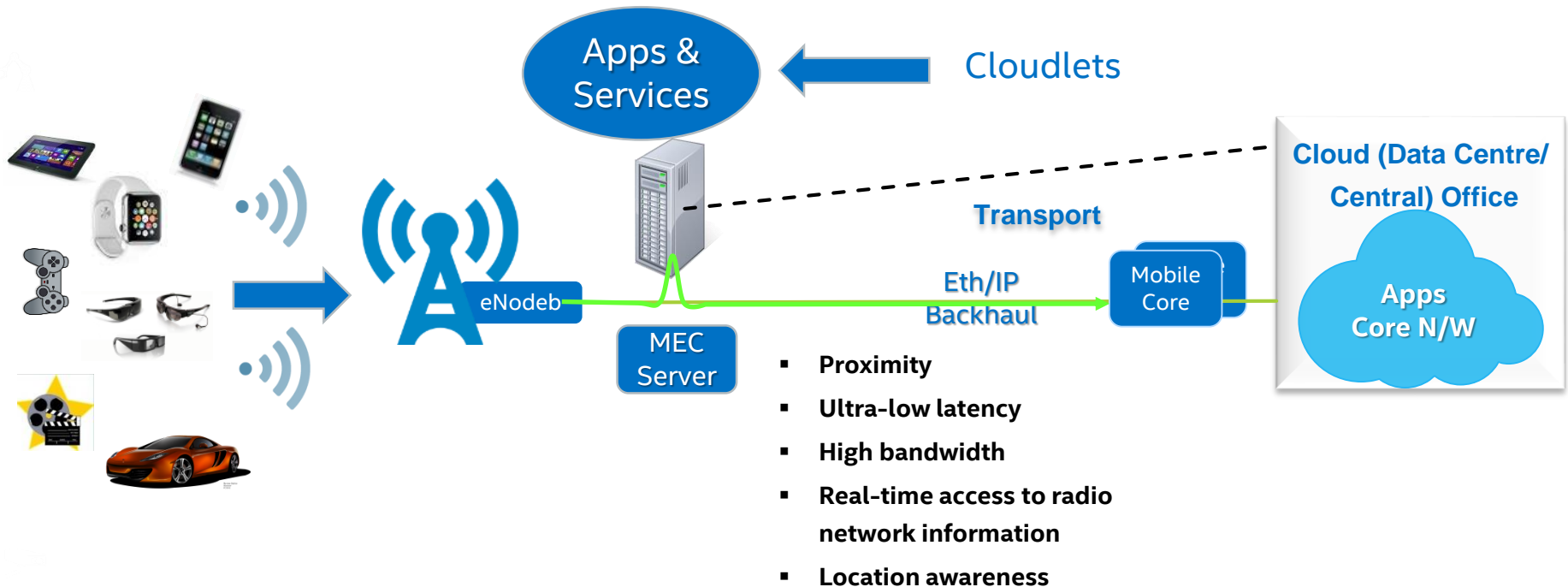
IOT Market expected to be 28.1 billion 'things' by 2020 according to IDC.

Businesses need competitive, scalable, secure connectivity that is agile and intelligent



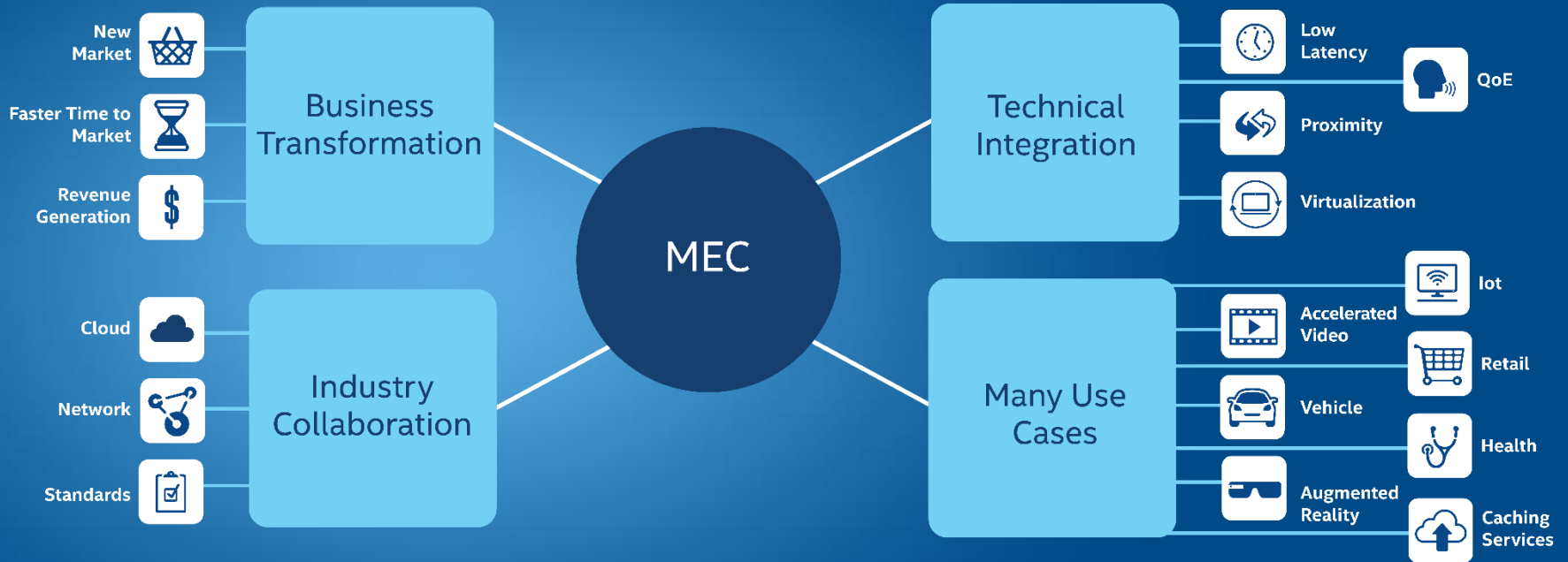
Latency, Congestion, Capacity, All Call For Computes

ETSI Mobile-Edge Computing (MEC)

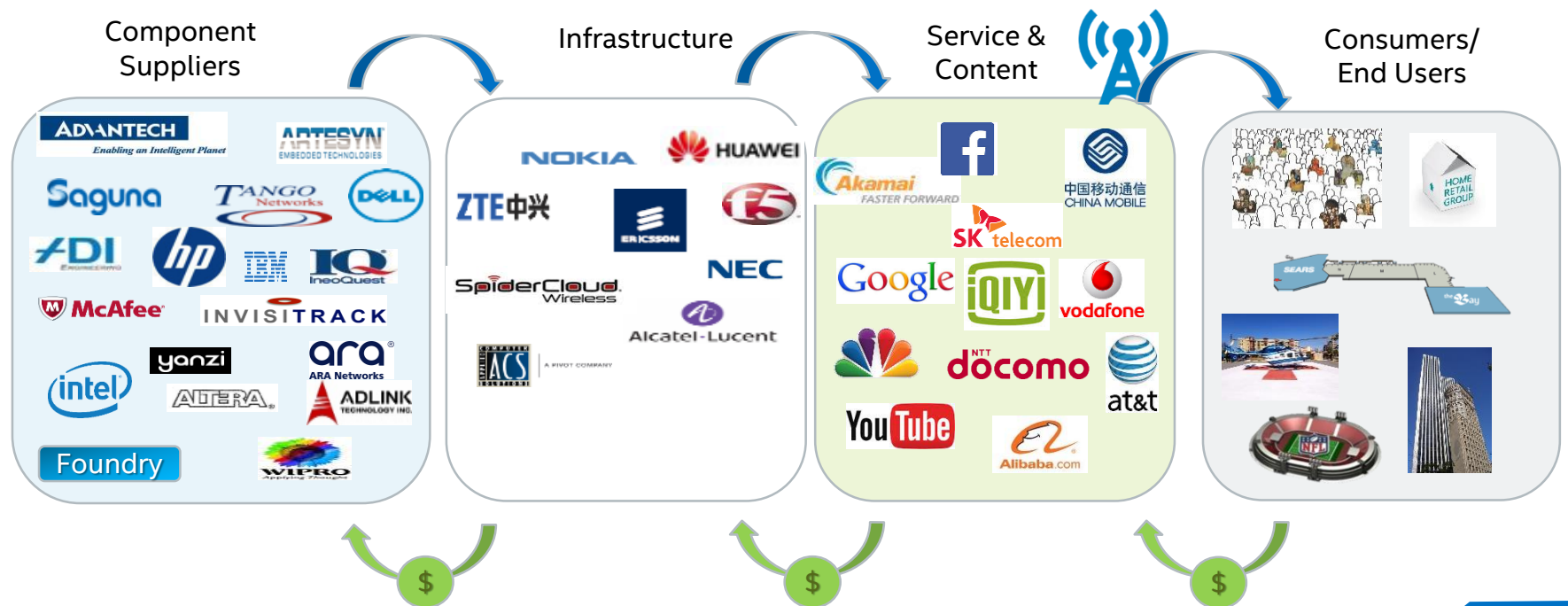
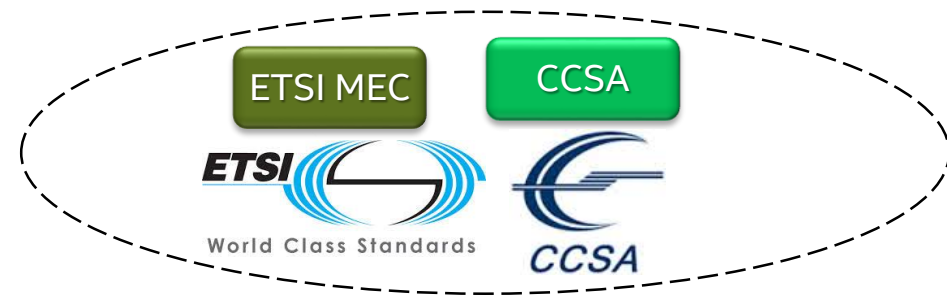


MEC:
Unlocks the Wireless Access
Pillar for 5G, Small Cell Forum & CCSA Adopts

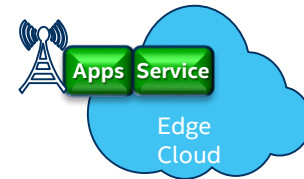
MEC Market Drivers



MEC Value Chain



MEC Traction



- 5G pillar
- CCSA (China), Sm Cell, NFV
- Content Provider Interest
Shanghai MWC, IDF, MEC
World Congress, IWPC, ...
- Huawei 'Open Mobile
Foundry' ([http://open-
mbb.huawei.com](http://open-mbb.huawei.com))
- Nokia AirFrame
- ACS Smart Perimeter

Industry
Influence



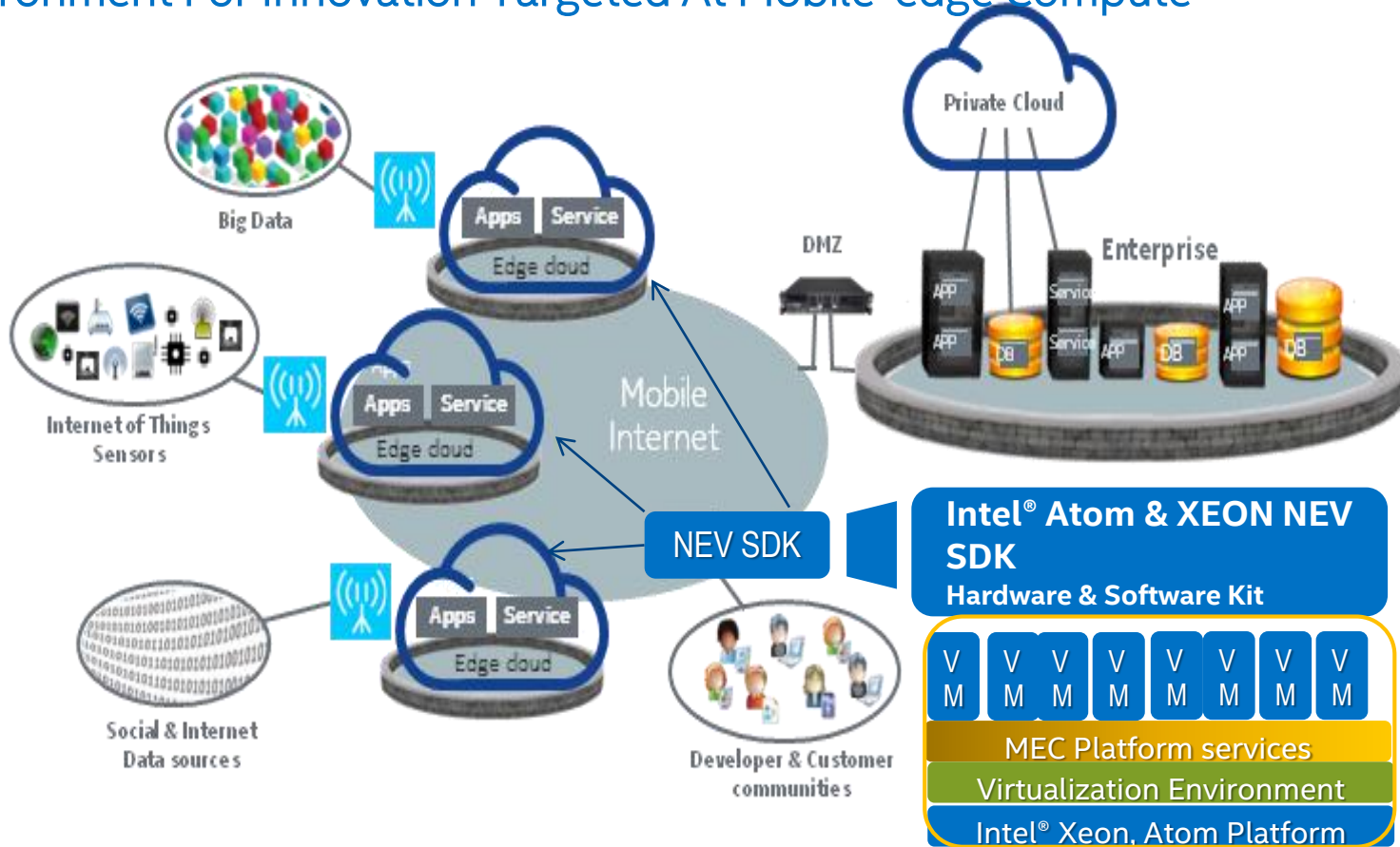
- Proof of Concepts
- Field Trials
 - Tier1 Operators
- Investigating Smart City
Implementation

Path to
Deployment



Intel® Network Edge Virtualization (NEV) SDK

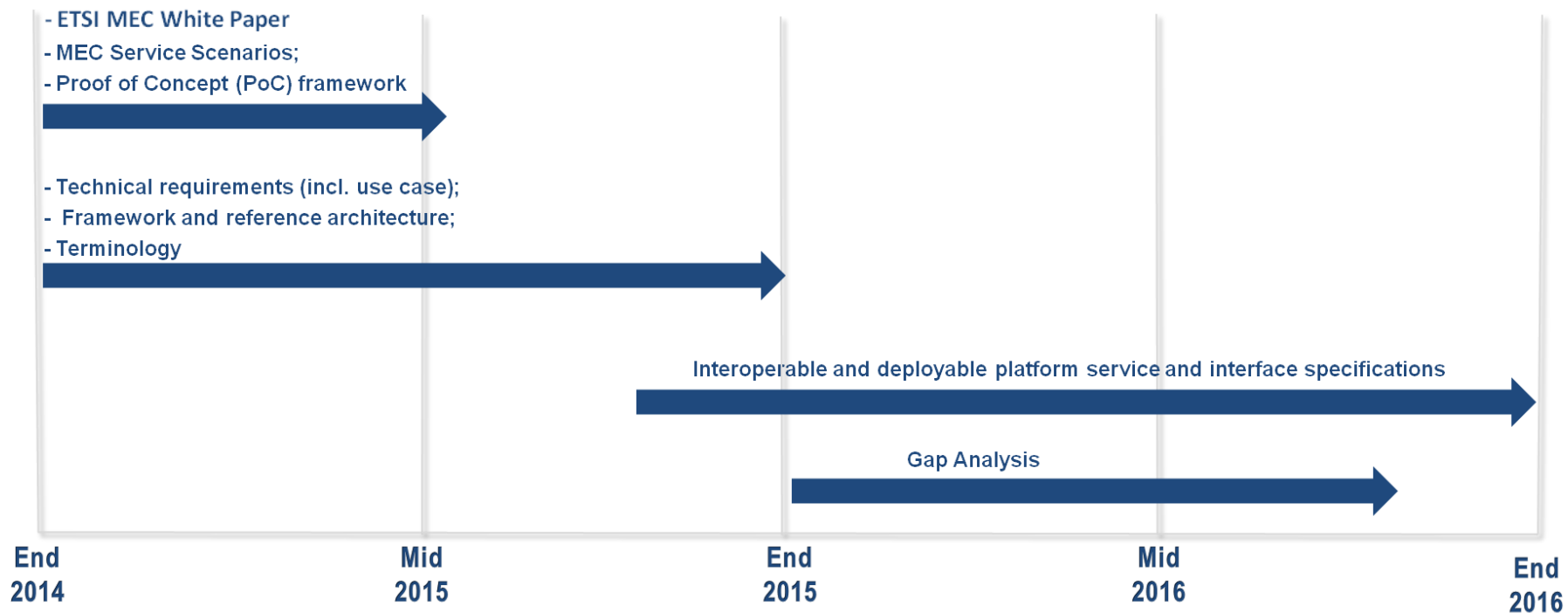
An Environment For Innovation Targeted At Mobile-edge Compute



NEV SDK enabling developers with a mobile edge environment

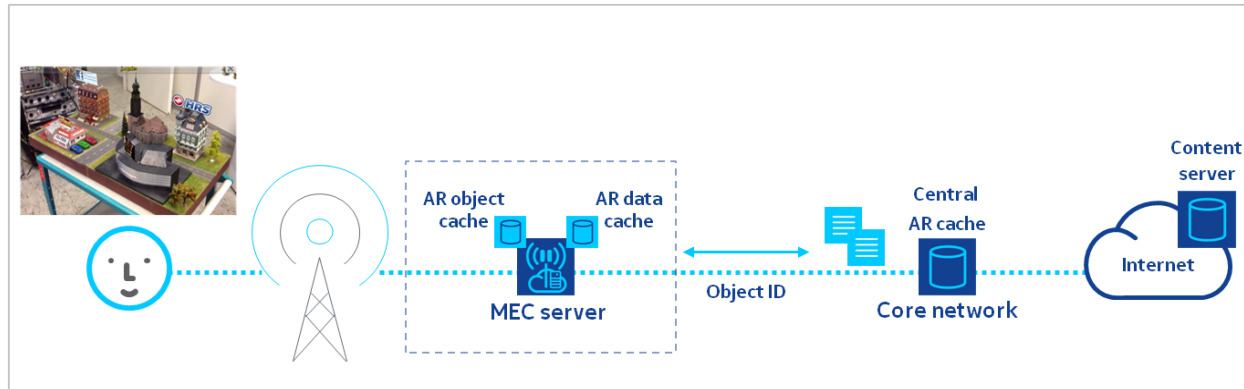
ETSI ISG MEC: Expected Deliverables

Lifetime spanning 24 months



Example MEC Service Scenarios

Augmented Reality Service Scenario Example

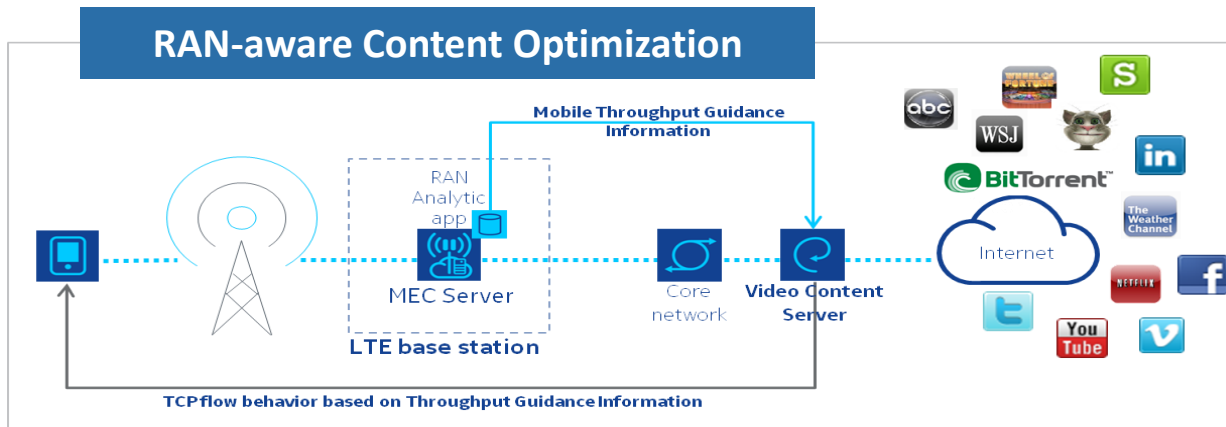


The MEC application analyses the output from a device's camera and the precise location

Objects viewed on the the device camera are overlaid with local augmented reality content

Network-performance Service Scenarios

Intelligent Video Acceleration

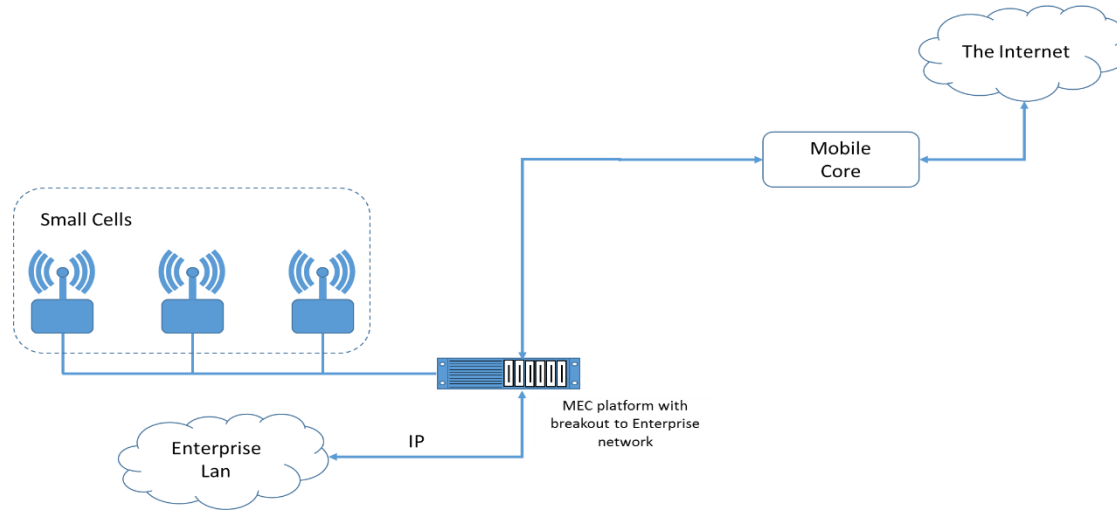


A Radio Analytics application provides the video server with an indication on the throughput estimated to be available at the radio downlink interface

The information can be used to assist TCP congestion control decisions and ensure the application-level coding matches the estimated capacity at the radio downlink.

Enables improved video quality and throughput

Enterprise Service Scenarios

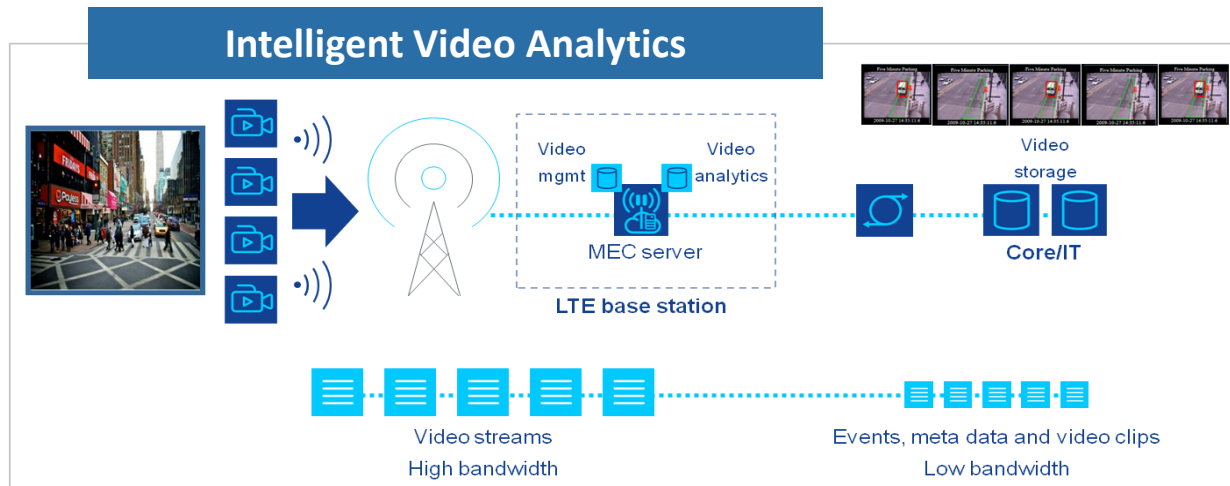


Classification of data services enables segregation and routing of traffic for different users

Ex: Retail can push personalized coupons to customers as they enter the store

IoT Service Scenarios

Video Analytics



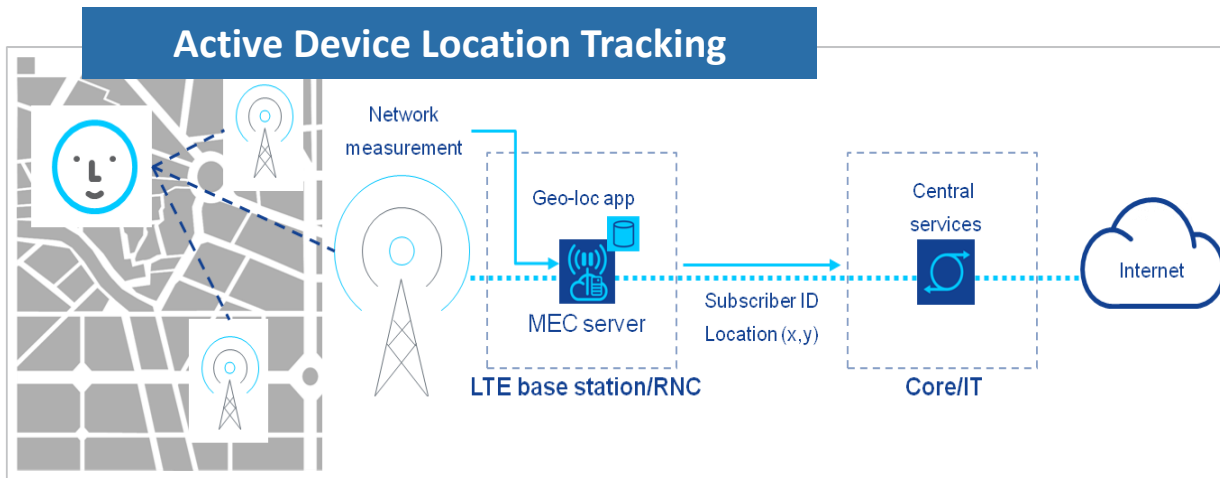
Live video stream analytics at the mobile edge

Events are triggered automatically (e.g. movement, missing objects, crowd, etc.); enables fast detection and action triggering

Optimizes backhaul and transport capacity

Applicable to public safety, smart cities...

Location Based Services



Active device location is provided and not restricted to GPS availability due to standard MEC API's in real time

Helps to locate specific users and understand how the crowd is distributed

Applicable to Smart City, Stadium, Geo-Fencing, Retail, Public Safety and advertising

Summary, Q & A

MEC is gaining traction in the industry

Opportunity for applications, your applications/cloudlets, to get deployed

Smart Campus and Innovation site with the NEV SDK is possible

Next Steps:

- CMU Course : Applications for Cloudlets

- Align Cloudlets with MEC APIs

Questions?