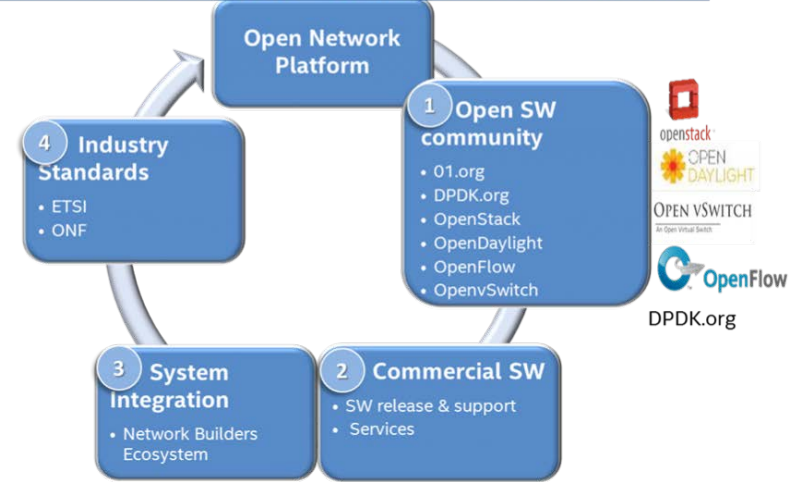
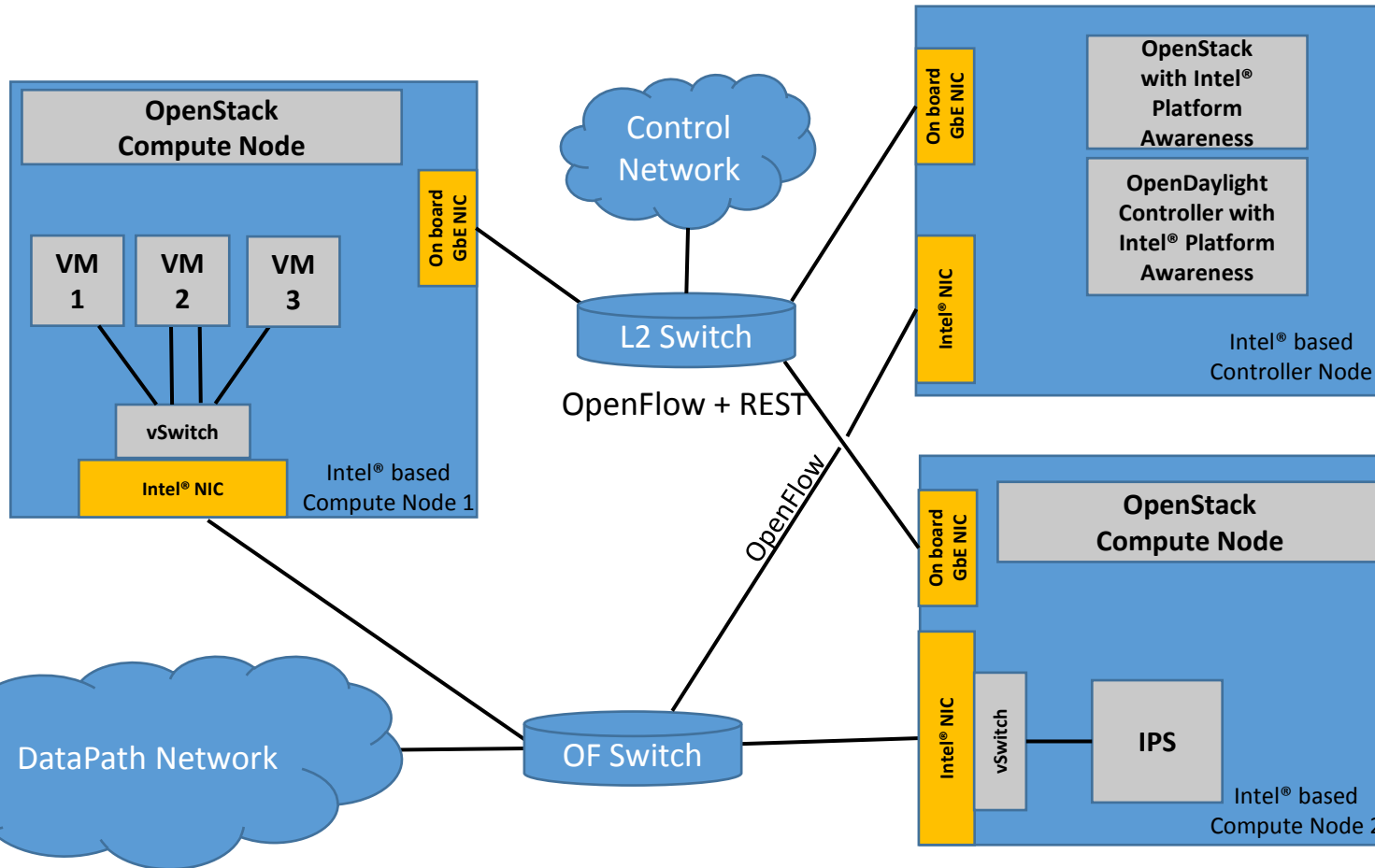


Intel® ONP for Servers – Opening the doors to SDN/Nfv

Intel® ONP for Servers – Reference Architecture



Software

- DPDK v1.7.0 with Packet Framework
- DPDK vSwitch (aka OVDK) v1.1.0
- OpenStack IceHouse + DevStack + Intel® Patches
- Quick Assist Technology drivers
- OpenDaylight Hydrogen
- OpenSource IPS (Suricata v2.0.2)
- StrongSwan v4.5.3 (IPSec stack)

Hardware

- Intel® Server Board R2308GZ4GC with Intel® Xeon® Processor Series E5-2680
- Intel® 82599 10 GbE Controller
- Intel® Communications Chipset 8920

Project URL: <https://01.org/packet-processing/intel%C2%AE-onp-servers>

Contact: Joseph Gasparakis joseph.gasparakis@intel.com