

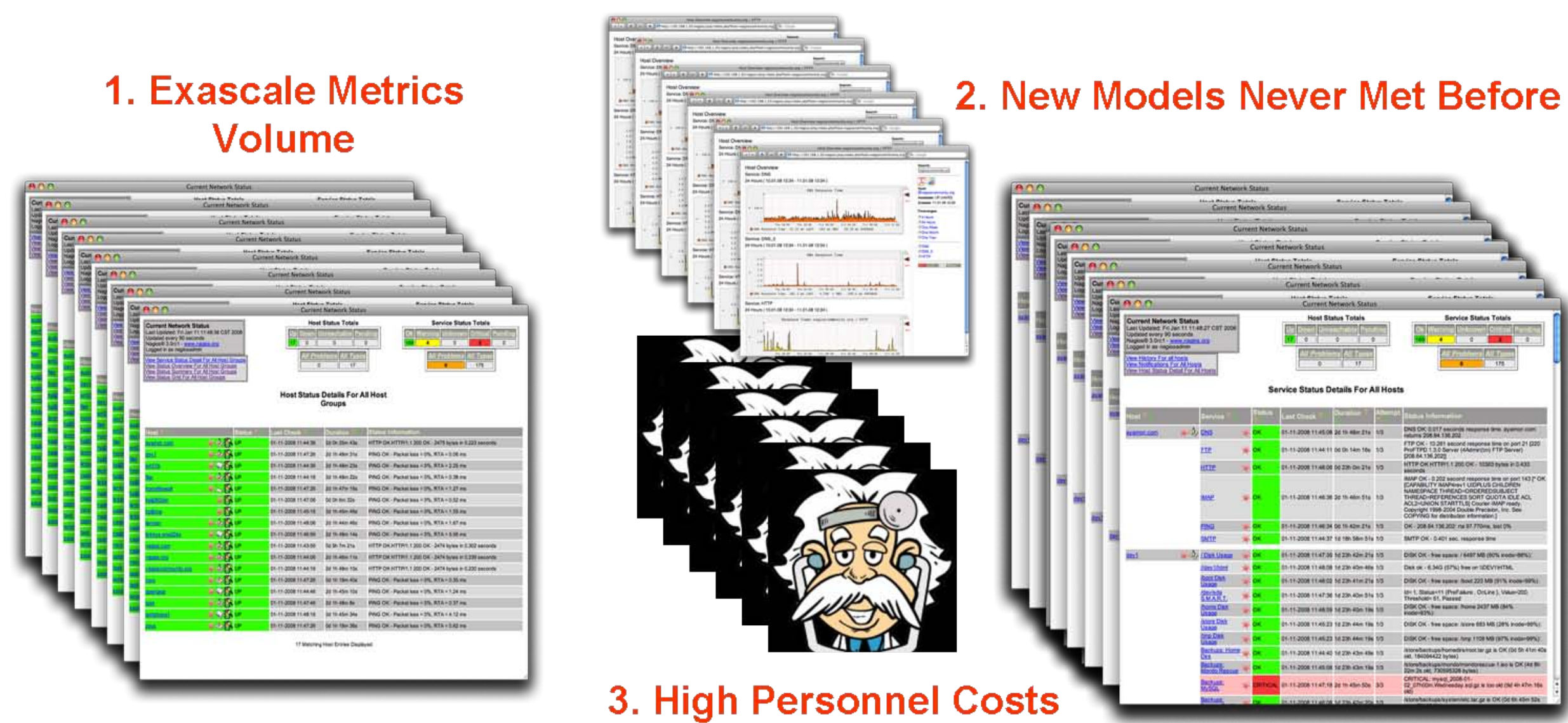
INTEGRATING MONITORING AND ANALYTICS FOR MANAGING LARGE-SCALE DATA CENTERS

Chengwei Wang, Karsten Schwan, Vanish Talwar*, Greg Eisenhauer, Liting Hu, Matthew Wolf

CERCS Georgia Tech, *HP Labs

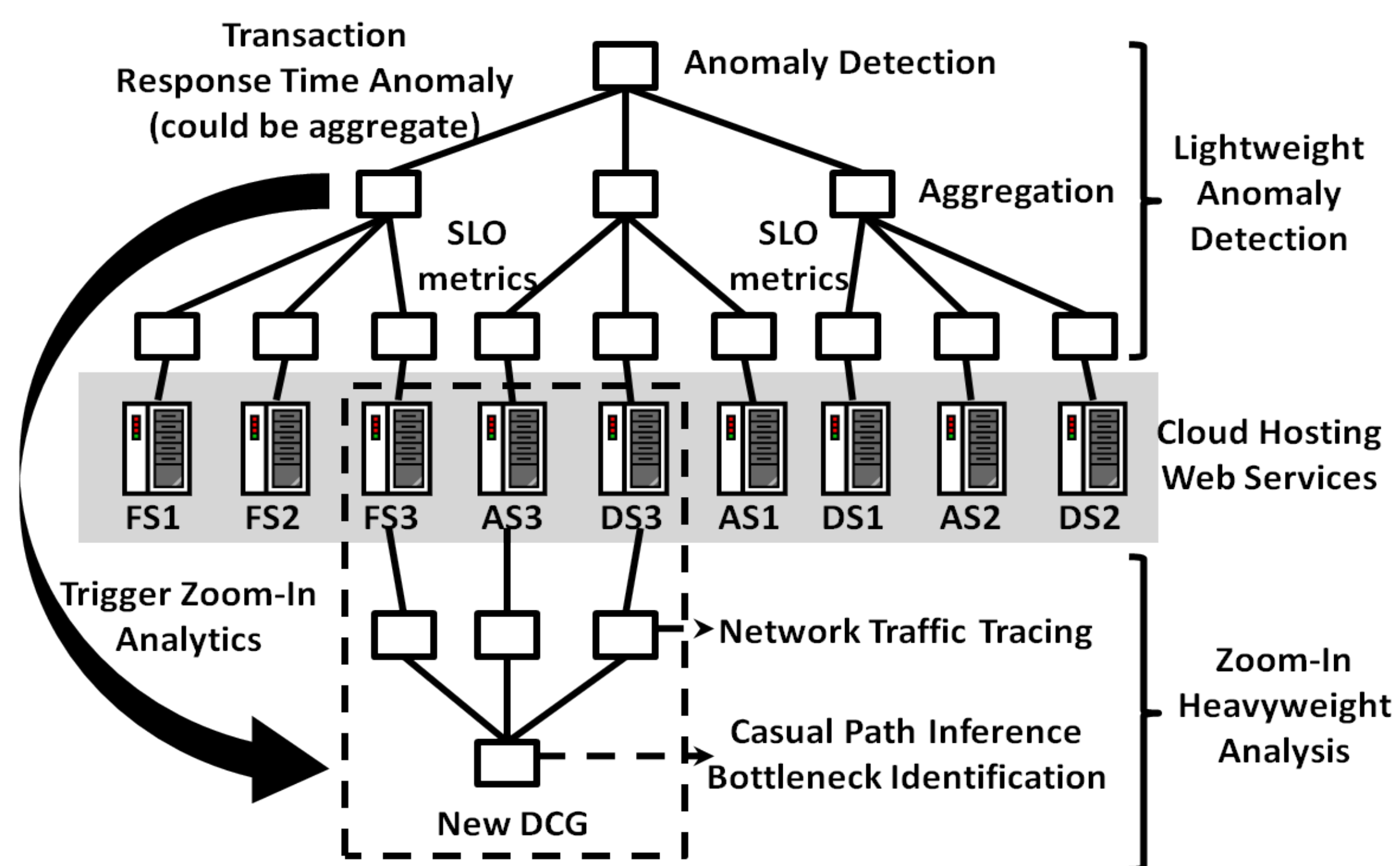
BACKGROUND/INTRODUCTION

Challenges: Monitoring/Diagnosis in Data Center

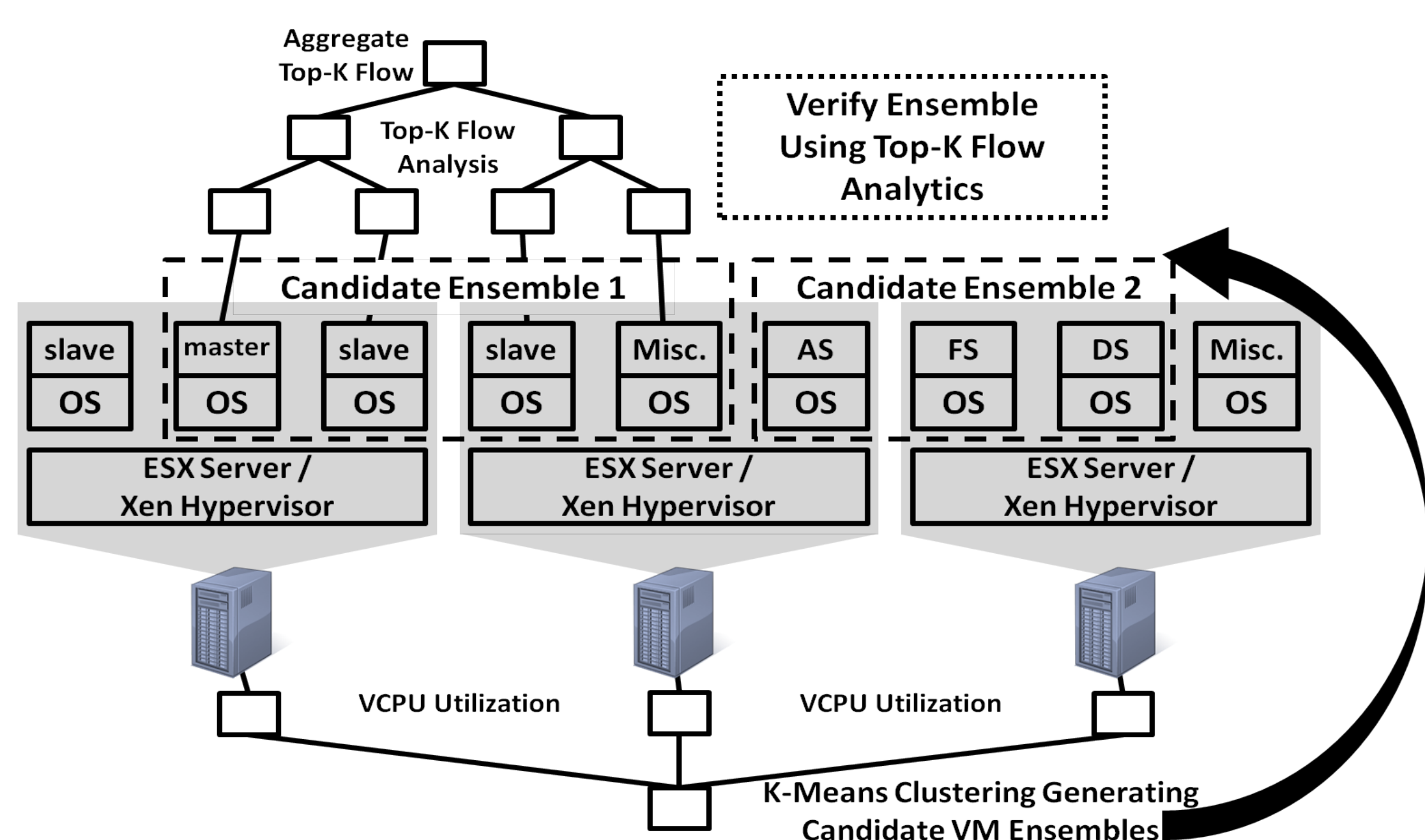


USE CASES

Zoom-In Analysis (ZIA):



Virtual Machine Clustering:

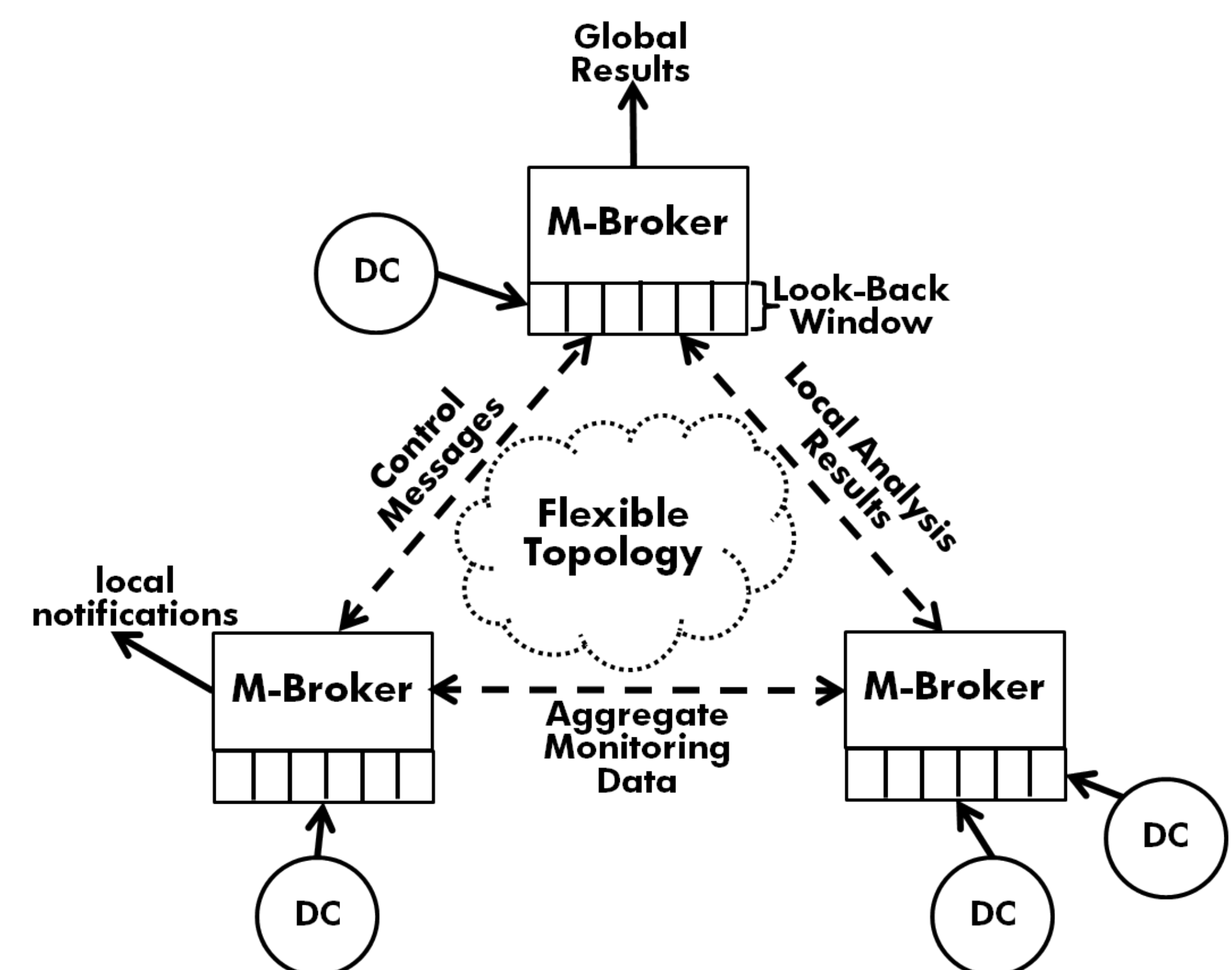


REFERENCES

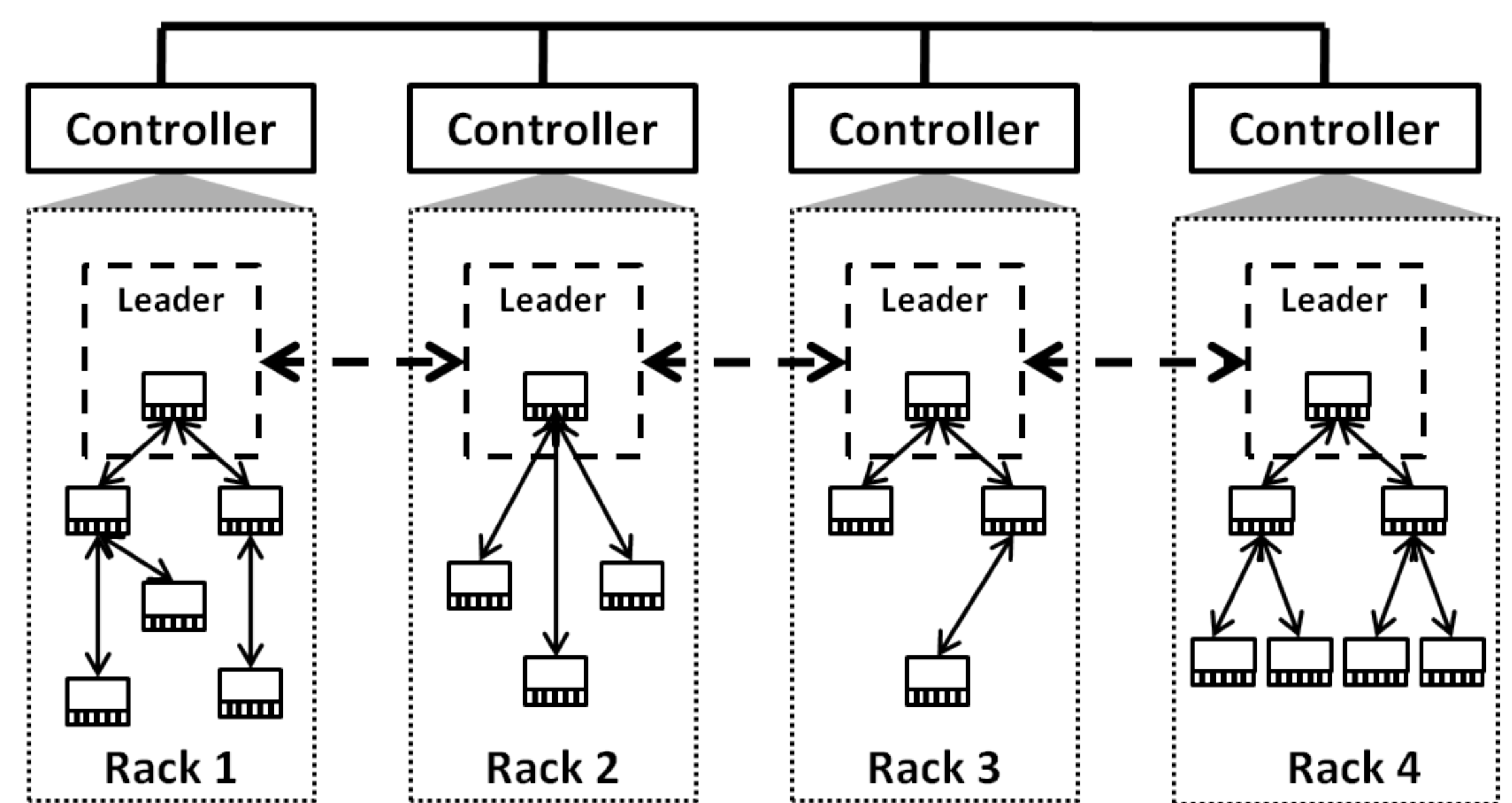
- C. Wang, K. Schwan, V. Talwar, G. Eisenhauer, L. Hu, M. Wolf. "A Flexible Architecture Integrating Monitoring and Analytics for Managing Large-Scale Data Centers." In ICAC 2011.
- M. Kutare, G. Eisenhauer, C. Wang, K. Schwan, V. Talwar, M. Wolf. "Monalytics: online monitoring and analytics for managing large scale data centers." In ICAC 2010.

MONALYTICS = MONITORING + ANALYTICS

DCG (Distributed Computation Graph):

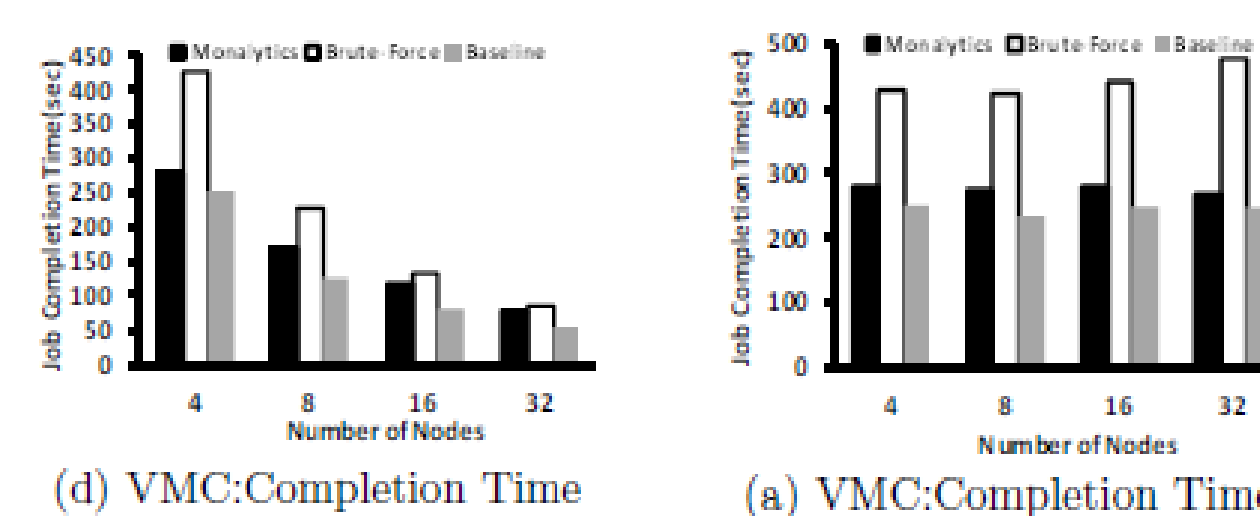
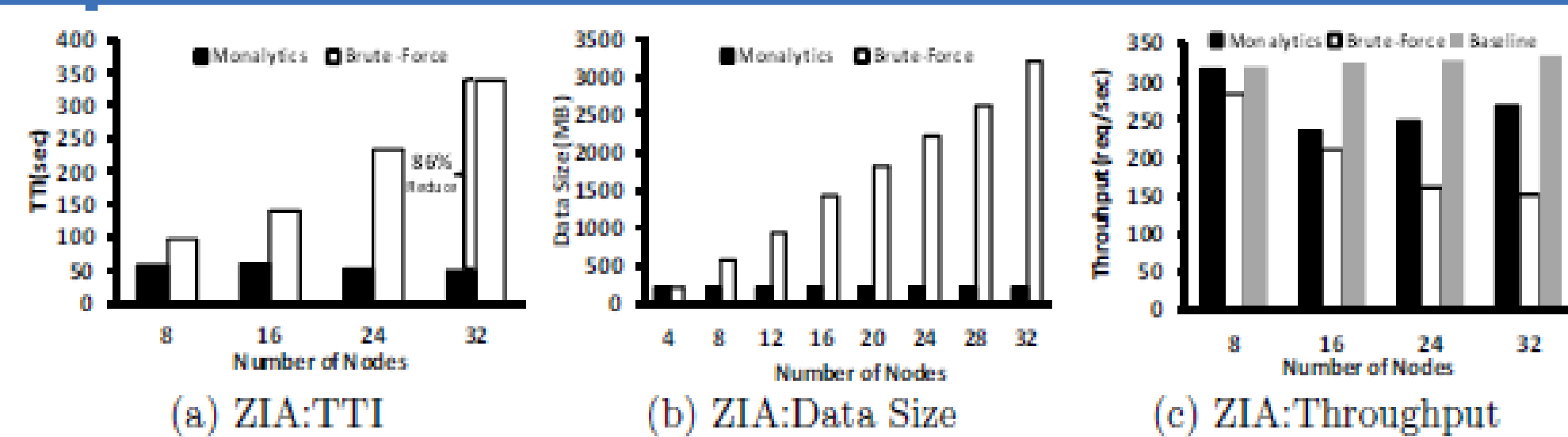


Hybrid DCG:



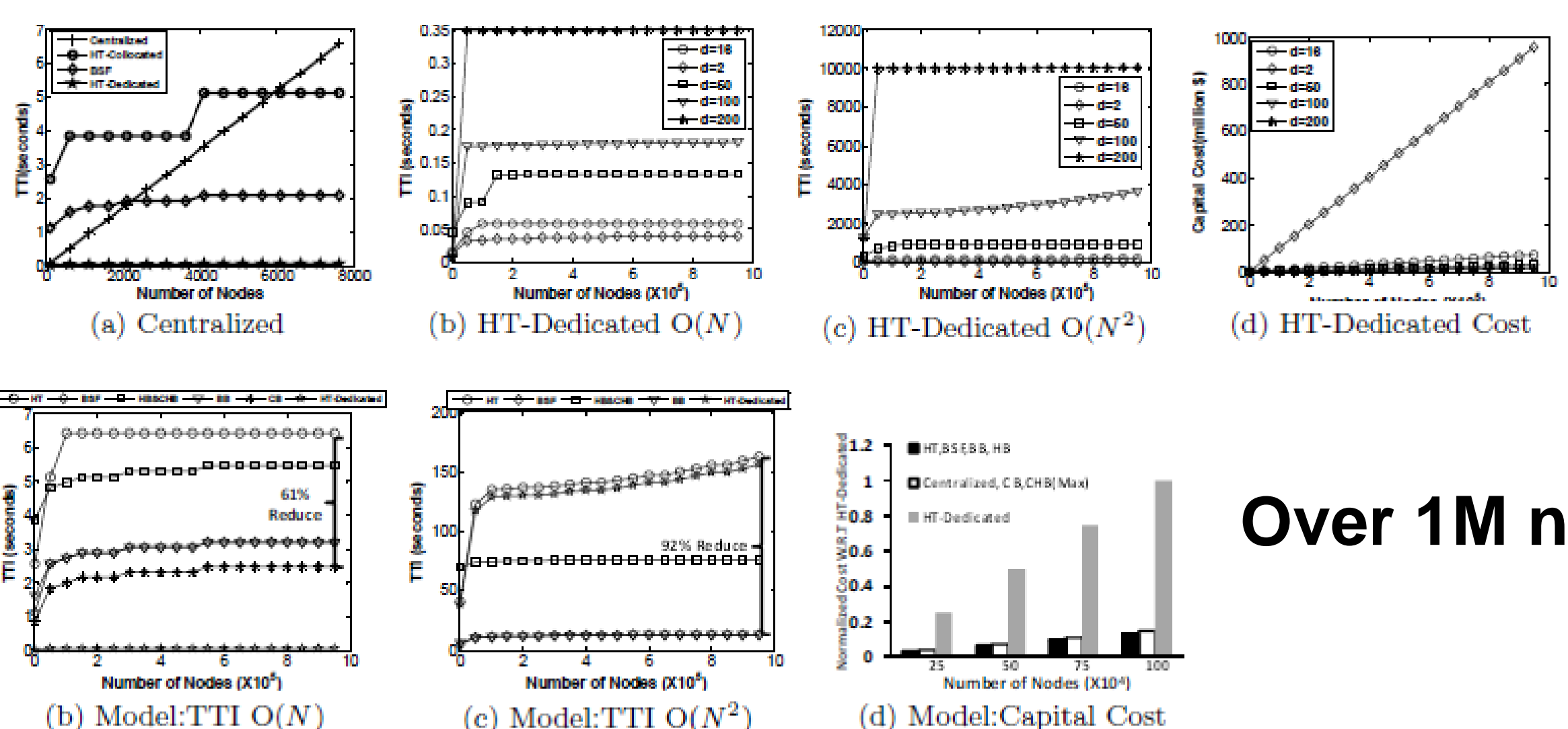
EXPERIMENTAL AND ANALYTICAL RESULTS

Experimental results from use cases:



1.32 VMs
2.TTI (Time To Insight)

Scalability results from analytical models:



Over 1M nodes